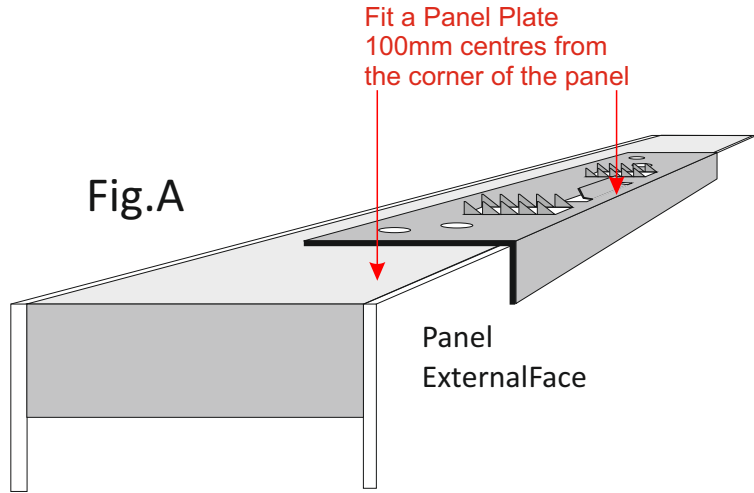


GT Panel Lok has been designed to assist the easy fit of Composite Panels into a side screen situation.

A set comprises of two metal parts, a panel plate and a frame plate, along with an acetel cover for the frame plate.

Fitted correctly, as show in the diagrams, GT Panel Lok will allow a push and lock fit with the advantage of easy release for removing the panel.

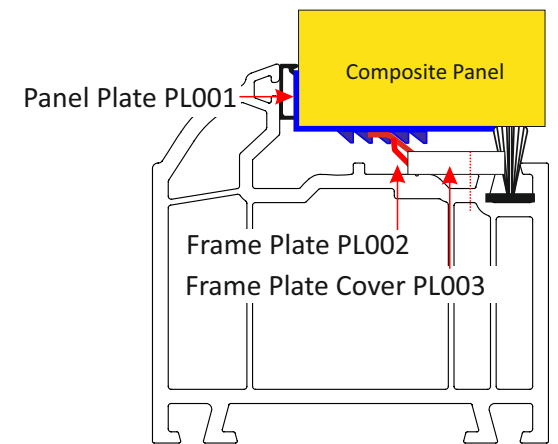
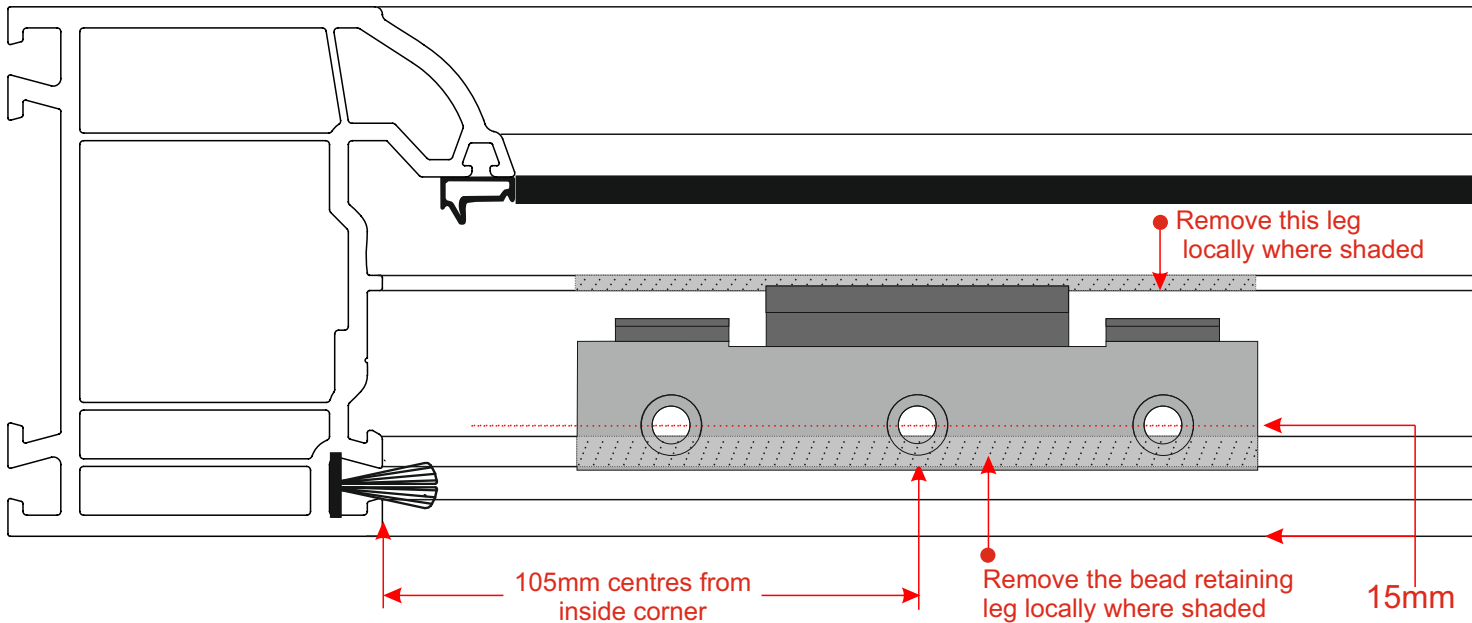
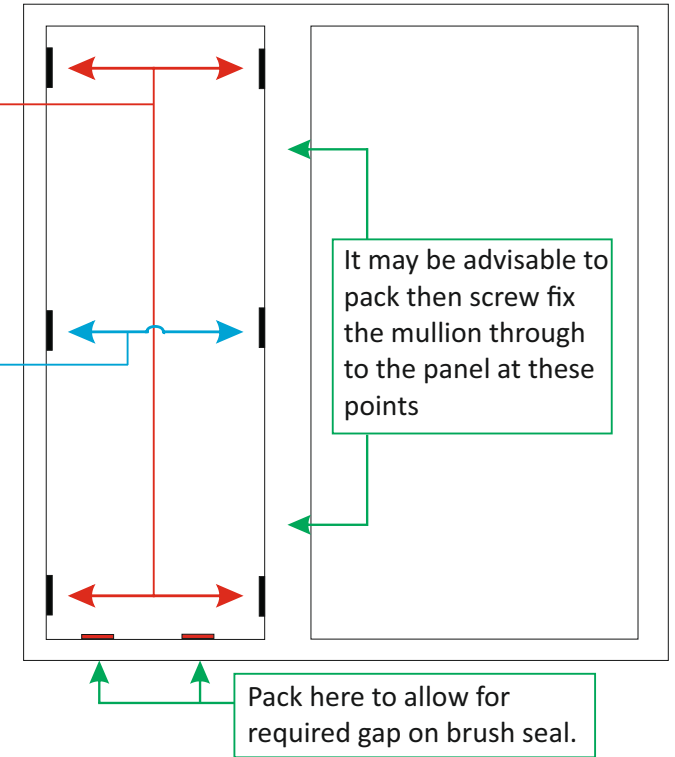


FITTING

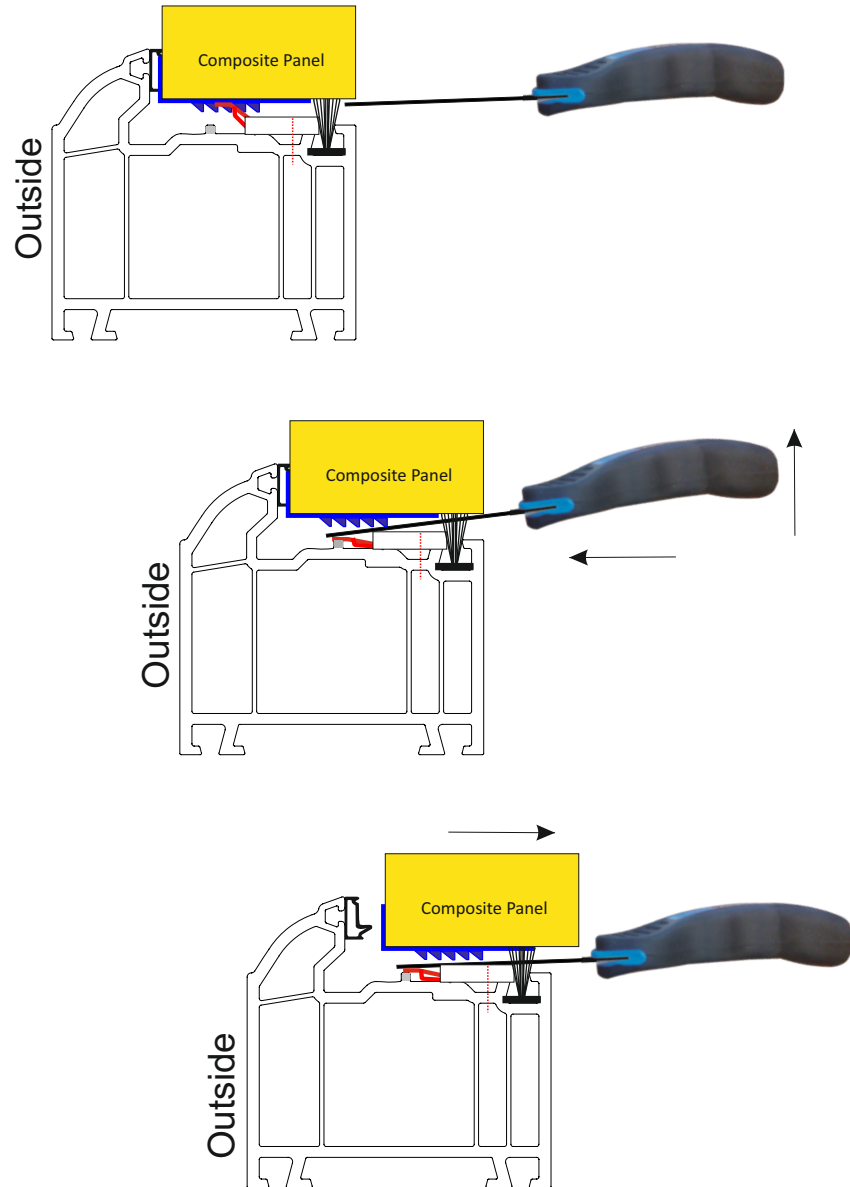
Fit Panel Lok on the vertical bars at the centre shown in Fig A and Fig B

Fit additional sets central at these points

All drawings are not to scale
Reinforcement and fixings
have been omitted for clarity
Patent No. GB2445676B



RELEASING

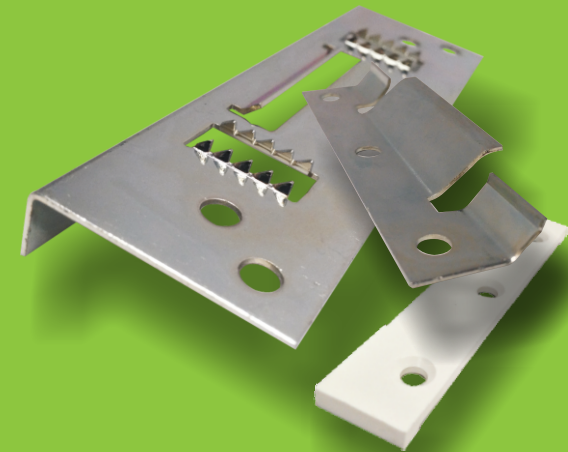


WINDOW PRODUCTS LIMITED

Effective solutions for windows manufacturers and fitters

GT Panel Lok

Patent No. GB2445676B



Fitting & Removal Instructions

Patent No. GB2445676B

Profile 22

